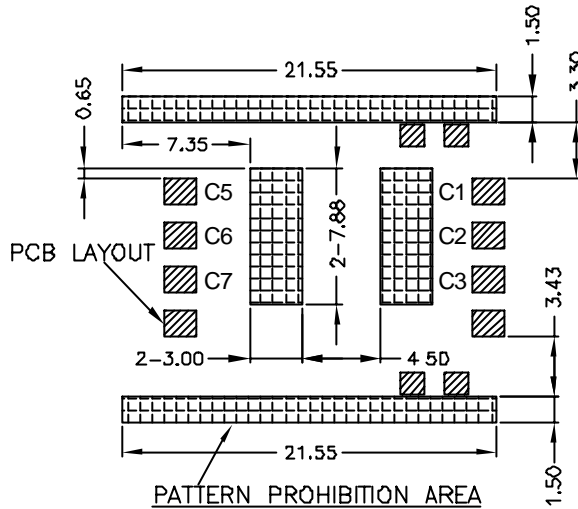
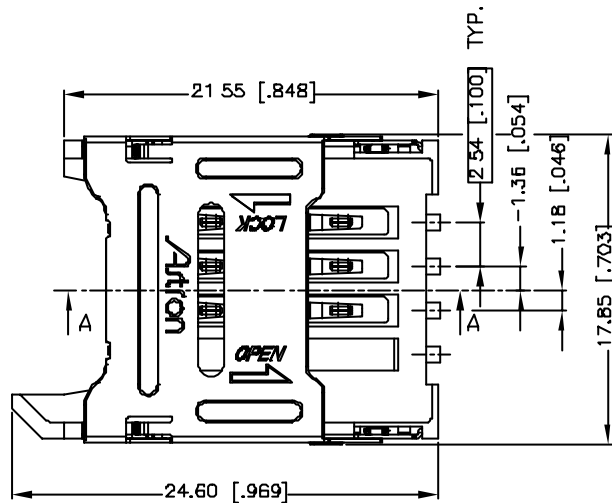


REV.	DESCRIPTION	DATE
A	RELEASE	Aug 08, 2007
B	08'037D	Mar 26, 2008
C	08'0547	May 22, 2008
D	08'0776	Jul 17, 2008
E	08'07106	Jul 28, 2008
F	08'0876	Aug 28, 2008



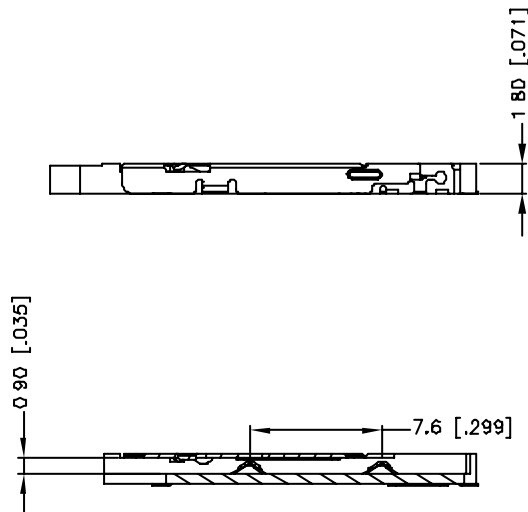
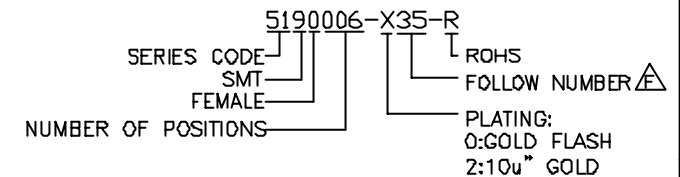
### MATERIALS

1. HOUSING : HI.-TEMP. PLASTIC (UL 94V-0), BLACK.
2. TERMINAL : COPPER ALLOY(t=0.12mm),GOLD FLASH OVER NICKEL.
3. COVER : STAINLESS STEEL(t=0.20mm).
4. GROUND : STAINLESS STEEL(t=0.20mm).TIN PLATED OVER NICKEL.

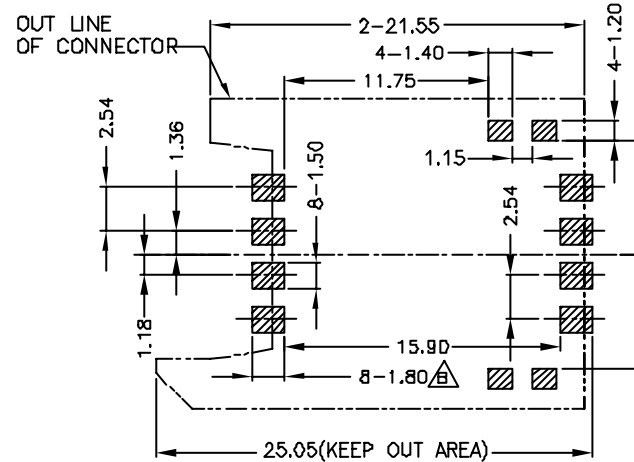
### SPECIFICATION

1. CURRENT RATING : 1.0 A. MAX
2. DIELECTRIC WITHSTANDING VOLTAGE : 500V AC R.M.S. FOR ONE MINUTE.
3. INSULATION RESISTANCE : 1000M MIN. AT 500V DC.
4. CONTACT RESISTANCE : 30m MAX.
5. OPERATING TEMPERATURE : -40°C TO +85°C.

### PART NUMBER INFORMATION:



SEC A-A  
SCALE 1:1



RECOMMEND P.C.B. LAYOUT  
TOLERANCE ± 0.05  
TOP VIEW

C1	VCC=5V	C5	GND
C2	RESET	C6	Vpp
C3	CLOCK	C7	I/O
C4	RFU	C8	RFU

TOLERANCE		DRAWER		<b>Astron</b>	
0=±.25 [.010]		Wuhong			
.00=±.15 [.006]		CHECK		ASTRON TECHNOLOGY CORP.	
.000=±.05 [.002]		Linguan		NAME	
.0000=±.		APP'D		2.54PH SIM CARD HINGE TYPE	
ANG.=±3°		Rex		SMT WITH GROUNDING(ROHS)	
UNITS · mm [inch]		PRODUCT SPEC.		DRAW NO.	
SCALE NONE		SIZE A4		R5190006-X35-R	
SHEET 1 OF 2		REV F			